



Troffer

High Potency

M5 European optic of corporative and office segment for interior use to superimpose on ceiling of 2x18W. UL certification for USA and Canada.

Certifications:

Warranty:

5 Years



General technical data:

Light source	Built-in LED
Nominal luminous flux (lm)	5,956
System Efficacy (lm/W)	136
CCT	4000K
CRI	80
Beam angle	100°
Power	44W
Input voltage	127-277V~
Input Frequency	60 Hz
Power factor	> 0.9
Total Harmonic Distortion (THD)	< 10 %
Operating Temperature	-10 a 40 °C
Driver	Integrated
Control	ON/OFF
Lifespan / LED maintenance	50,000h L70
Housing	Steel
Lens material	PMMA (Acrylic)
Finish	White
IP	10
IK	4
Mounting type	Surface

Order information:



Code construction example:
UF 4107 B BN A

Application	Consec.	Color	CCT	Input Voltage	Power	Nominal luminous flux	CRI	Control	Beam angle	INSTALATION	DIMENSIONS
UF	4107	B	BN - 4000K	A- 127-277V~	44W	5,956	80	ON/OFF	100°	Superimposed	1331*323*90 mm

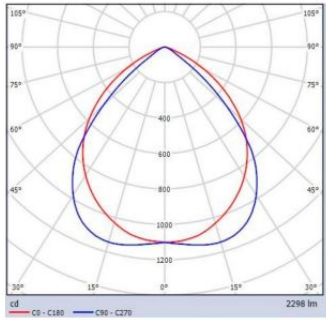
Energy efficiency:

CODE	Nominal luminous flux (lm)	Power (W)	System Efficacy (lm/W)
UF 4107 B BN A	5,966	44	135.6

Input current:

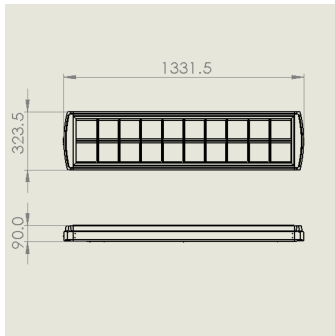
Power (W)	Input current
44W	0.364 - 0.167 A

Photometric:



100°

Product dimensions:



1331*323*90

Downloads:

[Go to downloads section](#)