



Downled

General Lighting

General lighting downlights for overhead installation, manufactured in aluminum injection, finished with electrostatic paint of high reflectance white finish and a high transmittance acrylic screen, the family has dimming options in phase (TRIAC).

Certifications:

Warranty:

5 Years

General technical data:

Light source	Built-in LED
Nominal luminous flux (lm)	750
System Efficacy (lm/W)	94
CCT	3000K/ 4000K
CRI	80
Beam angle	120°
Power	8W
Input voltage	127V~
Input Frecuency	50/60 Hz
Power factor	>0.90
Total Harmonic Distortion (THD)	<10%
Operating Temperature	-10 to 40 °C
Driver	Integrated
Control	TRIAC
Lifespan / LED maintenance	30,000h L70
Housing	Aluminium
Lens material	Acrylic
Finish	Electrostatic painting
Color	White / Black
IP	10
IK	02
Mounting type	Surface

Order information:



Code construction example:
UF 4023 B BC D

Application	Consec.	Color	CCT	Input Voltage
UF	4023	B- White	BC- 3000K BN- 4000K	D- 127V~

Power	Nominal luminous flux	CRI	Control	Beam angle
8W	750	80	Triac	120°

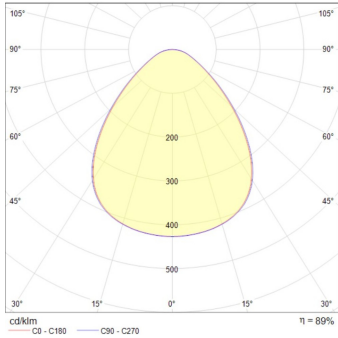
Energy efficiency:

CODE	Nominal luminous flux (lm)	Power (W)	System Efficacy (lm/W)
UF 4023 B BC D	756	8	94
UF 4023 B BN D	756	8	94

Input current:

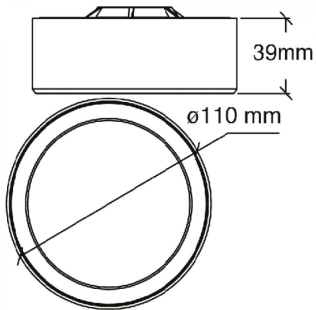
Power (W)	Input current
8	0.073 A
8	0.073 A

Photometric:



Downled 120°

Product dimensions:



Downled 8W

Downloads:

[Go to downloads section](#)